

# TERRADAPTOR

## PORTABLE ANCHOR SYSTEM

### MANUAL

The TerrAdaptor Portable Anchor System is  
Certified to CLASS B OF EN 795:2012 & TYPE B / MAX 2 USERS FOR CEN/TS 16415:2013  
Certified NFPA1983, Incorporated in the 2022 Edition of NFPA 2500

230316



# TERRADAPTOR

## PORTABLE ANCHOR SYSTEM

### TABLE OF CONTENTS

<b>1. INTRODUCTION</b>	
PRODUCT OVERVIEW	1
COMPONENT OVERVIEW	3
TESTING AND WARNING INFORMATION	4
NFPA USER INFORMATION	5
CE USER INFORMATION	7
<b>2. ASSEMBLY INSTRUCTIONS</b>	
LEG TUBE CONNECTIONS	10
HEIGHT ADJUSTMENT - LEG ASSEMBLY CONFIGURATIONS	10
HEAD ANGLE ADJUSTMENTS	11
LEG CLAMPS	12
MODULAR FOOT SYSTEM	14
CAM STRAP HOBBLE	17
MAIN ATTACHMENT POINT AND PINS	18
AUXILIARY ATTACHMENT POINTS	19
HEAD ASSEMBLY - TRIPOD, QUADPOD, A-FRAME	19
LASH RING	20
STRENGTH OF AUXILIARY ATTACHMENT POINTS	21
FINAL ASSEMBLY	21
<b>3. TERRADAPTOR ACCESSORIES</b>	
QUICKLASH	22
SPACE STATION	23
SPEEDLOCK PIN KIT	24
<b>4. CONFIGURATIONS</b>	
SYMMETRIC TRIPOD	25
SYMMETRIC QUADPOD	27
EDGE-A TRIPOD	27
BI-POD	28
GIN POLE/ MONOPOD	28
HORIZONTAL SPAN	28
CANTILEVER & DAVIT ARMS	28
CE CERTIFIED CONFIGURATIONS	29
FIELD USE CHARTS	29
INSPECTION AND MAINTENANCE LOG	32
<b>5. WARRANTY AND REPLACEMENT PARTS</b>	
WARRANTY AND REGISTRATION INFORMATION	33
REPLACEMENT PARTS	33



# SECTION 1

## INTRODUCTION

### **Product Overview**

Congratulations on your purchase of the Portable Anchor System. The TerrAdaptor is the most versatile portable anchor system available for use in rescue, industrial, and wilderness environments. This innovative high directional system is the result of the combined years of experience in the design, use and manufacturing of equipment by Pigeon Mountain Industries (PMI) and Seattle Manufacturing Corporation (SMC).

The TerrAdaptor system is unique in that it configures as a gin pole/monopod, an A-Frame/Bipod, a Quadpod and, of course, the most adjustable Tripod in the market today. Due to the extreme adjustability of the TerrAdaptor, countless non-standard configurations are available utilizing shallow angles and horizontals that are not available with other tripod systems in the market. With independently variable head angles and interchangeable components, the TerrAdaptor will adjust to your rescue environment whether it is rural, urban, industrial, or confined space.

### **Layout of this Manual**

This manual is designed to aid in the assembly and configuration of the TerrAdaptor Portable Anchor System. It is not designed to provide the user with the theory and practice of using portable anchor systems, as this comes only from extensive training from qualified trainers on such systems. Do not attempt to use the TerrAdaptor without this specialized training as you could be killed or seriously injured.

Section 2, Assembly Instruction, includes a detailed description of each of the major components of the TerrAdaptor System. This section explains how the individual pieces are used as well as how they are assembled together. Within each component description there is a “best practice” element, care and maintenance, as well as specific warnings for that element. Please refer to this section during routine inspection of the TerrAdaptor system as well as during your initial assembly process.

Section 3, TerrAdaptor Accessories, includes information on care, maintenance, use and warnings for accessories which are now available for the TerrAdaptor. These accessories add flexibility and functionality that may not be present in your base TerrAdaptor model. Please make sure the product information sheets you receive when purchasing accessories are added to this section so that all users of your TerrAdaptor will have access to the most up-to-date information. In addition, as you continue to use your TerrAdaptor and find it being used in more unique applications and wish you had the perfect accessory for the situation, please don’t hesitate to contact us with your ideas.

Section 4, Configurations, includes information regarding various standard configurations the TerrAdaptor system has been designed for. This section summarizes the various settings needed to achieve the configuration as well as the breaking strength achieved for the configuration. The NFPA and ASTM standard achieved at each configuration is also indicated, if applicable.

Section 5, Warranty and Replacement Parts, describes the warranty policy on your TerrAdaptor System and component parts. In addition, this section provides the listing of the component parts and their part numbers included in each kit available for purchase. Please refer to this section upon receiving your kit to assure all of your parts are properly included in the kits, as well as for a list of replacement parts that are available from your dealer.

## **The TerrAdaptor System**

Multiple configurations of the TerrAdaptor Portable Anchor System can be built from various standard system components. The primary system revolves around the TerrAdaptor Tripod System (Part number NFPA230100). This system includes all of the necessary parts to assemble a standard symmetric tripod that provides the ability to reach a height of approximately 10-feet. The system comes packaged in three compact packable bags to make it easy to “grab your bags and go” as well as store the System together in an organized manner. The individual component pieces included in the TerrAdaptor Tripod System are listed in Section 5 of this manual.

To transition your Tripod to a Quadpod System, you can purchase the TerrAdaptor Quadpod Attachment Kit (Part Number 230105). This kit provides the fourth leg and attachment pieces necessary to transition your tripod into a quadpod. The individual component pieces included in the TerrAdaptor Quadpod are listed in Section 5 of this manual.

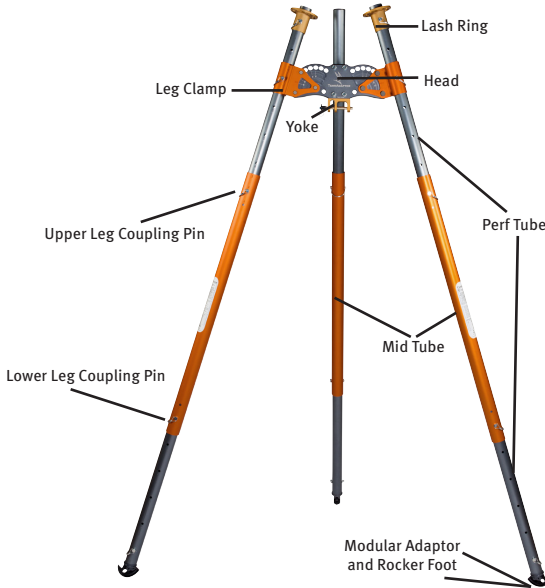
If your needs are fairly simple and a single gin pole is the best solution for your situation, you can purchase the TerrAdaptor Gin Pole Kit (Part number 230106). This kit includes a full leg kit to reach approximately 10 feet in height adjustability. The individual component pieces for this kit are listed in Section 5.

For those who typically encounter environments that require more than 10 feet of height, additional leg extension pieces (appropriately 4 feet in length) can be individually purchased for this use. This piece can also be used to provide one extra long leg if a tall “lazy leg” configuration is desired.

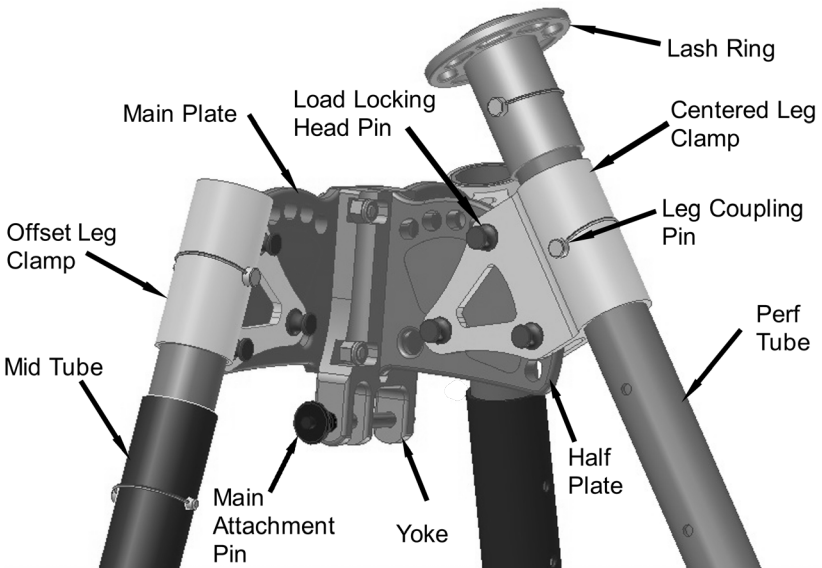
Other replacement parts and options are available for the TerrAdaptor system and are listed in Section 5 of this manual.

## Major Component Overview

The images below are an overview of a tripod set-up.



An overview of the head section along with the correct names of each component is presented below. Please refer to this image while learning how to assemble the TerrAdaptor as outline in Section 2.



## Testing Applied to the TerrAdaptor

The TerrAdaptor system has been tested extensively in both lab and field environments. As a result, the TerrAdaptor Portable Anchor System in the standard symmetric tripod and quadpod configurations were the first systems of their kind to be certified by UL to NFPA 2500 (1983), 2022 edition. Other useful configurations were also tested and have been included in this manual (Section 4) for reference purposes.

Certified CLASS B OF EN 795:2012 & TYPE B / MAX 2 USERS FOR CEN/TS 16415:2013 in the standard symmetric Tripod and Quadpod configurations.

Each rescue situation is unique and the ultimate safety of the TerrAdaptor system rests in the knowledge and training of those setting up the system.

## Warnings

**Technical work and rescue, mountaineering and other rope assess activities are inherently dangerous. Any person or team using a portable anchor system must obtain qualified instruction prior to using such equipment in any manner. If you are not extremely versed in the understanding of resultant forces, high directional concepts and other basic issues regarding portable anchor systems theory, you are not qualified to use this device until adequately trained. Any person or team using the TerrAdaptor Portable Anchor System is responsible for their own decisions and actions. Failure to heed this warning can cause serious Injury or Death.**

Breaking Strengths listed in the configuration section are the maximum load sustained prior to system collapse. During testing, the typical system failure mode was the failure to sustain a load. This was due primarily to flexing and yielding of components, rather than the components themselves fracturing and releasing the load, as is typical in other rescue systems.

Bent or warped components are the symptom of a system that has been overloaded. Continuing to use bent or warped components will unpredictably alter the system strength, possibly resulting in injury or death. If bent or distorted components of any kind are discovered, immediately discontinue use of the TerrAdaptor system until components are replaced, a safety analysis of the system has been performed, and corrective action implemented.

Hardware item such as nuts, bolts, pins, etc, are specified by the manufacturer for strength and other characteristics which make them suitable for use in the TerrAdaptor system. Substituting with commonly available hardware store items may result in injury or death. Likewise, using homemade or third party components to connect or support TerrAdaptor components may negatively affect the system strength, may void the warranty and may result in injury or death.

As mentioned above, **the breaking strengths presented represent the load prior to system collapse, not the working load of the system. The user is responsible for determining the proper working load required given the specific situation and the safety margins required to provide a safe environment for the circumstance.**

Please see our website [www.smcgear.com/terradaptor](http://www.smcgear.com/terradaptor) for a listing of trainers that have extensive training experience with portable anchor systems. These trainers have experience with the TerrAdaptor.



## WARNING

- **YOU COULD BE KILLED OR SERIOUSLY INJURED IF YOU DO NOT READ AND UNDERSTAND THE USER INFORMATION BEFORE USING THIS PIECE OF EQUIPMENT**
- **SPECIAL TRAINING AND KNOWLEDGE ARE REQUIRED TO USE THIS EQUIPMENT**
- **YOU MUST THOROUGHLY READ AND UNDERSTAND ALL MANUFACTURER'S INSTRUCTIONS BEFORE USE**



## **Model NFPA230100**

### **TerrAdaptor Portable Anchor System**

Manufactured by Seattle Manufacturing Corporation (SMC)  
Made in USA

#### **USER INFORMATION**

THIS PORTABLE ANCHOR SYSTEM MEETS THE PORTABLE ANCHOR REQUIREMENTS OF NFPA 1983, INCORPORATED IN THE 2022 EDITION OF NFPA 2500

MINIMUM BREAKING STRENGTH AND RATING ARE DETERMINED AT THE CONFIGURATION OF LOWEST STRENGTH PER MANUFACTURER'S INSTRUCTIONS

The TerrAdaptor Portable Anchor System is General Use "G" Rated in the standard configuration for the Tripod at a height of 8 feet or less and in the Quadpod configuration at a height of 9 feet or less with an MBS of 36kN.

#### **BEFORE USE**

The techniques employed in the proper and safe use of this equipment may only be learned through PERSONAL instruction received from an instructor who is well qualified in all phases of vertical rope work. Such instruction will include an evaluation of your comprehension of, and ability to perform, the tasks required to safely and efficiently use this equipment. Never attempt its use until you have received such instruction and are believed competent by your instructor. In addition, read and understand the attached user instruction manual.

#### **INSPECTION FOR USE**

Visually and by touch, inspect each of the component parts of the TerrAdaptor Portable Anchor System for cracks, distortion, corrosion, scratches or gouges, sharp edges or rough areas. Compare these parts with new ones if necessary to determine their condition. Review the assembly instruction manual section for detail descriptions of items to inspect. Remove each part from service if there is any doubt about its safety or serviceability.

#### **SET UP FOR USE**

The TerrAdaptor Portable Anchor System is a very versatile piece of equipment. The versatility and the sheer number of components in the system make this an extremely complex set-up for proper and safe function. User must get professional instruction as well as read and understand the attached user instructional manual.

#### **MAINTENANCE AFTER USE**

Carefully clean and dry all component parts of this device to remove all dirt or foreign material and moisture. Minor sharp edges may be smoothed with a fine abrasive cloth, before cleaning. Store in a clean, dry place.

#### **REMOVAL FROM SERVICE**

This TerrAdaptor Portable Anchor System and/or a component piece should be removed from service if distortion of any part is apparent, if any cracks are apparent, if exposed to heat sufficient to alter its surface appearance or if it has scratches or gouges of more than a superficial nature. Review the assembly instruction manual for detail descriptions of potential problems with component parts.

## **ADDITIONAL INFORMATION**

Additional information regarding this type of equipment can be found in the following publications incorporated into the 2022 edition of NFPA 2500:

NFPA 1500, *Standard on Fire Department Occupational Safety and Health Program*

NFPA 1858, *Standard on Selection, Care, and Maintenance of Life Safety Rope and Equipment for Emergency Services*

NFPA 1983, *Standard on Life Safety Rope and Equipment for Emergency Services*

## **RECORDS**

It is suggested that the user of this portable anchor system keep a permanent record listing the date and results of each usage inspection. Such record should show, as a minimum, inspection for all of the following conditions for each component of the system. Refer to the user manual for explanation detail for each component piece:

- Cleanliness
- Dryness
- Corrosion
- Distortion
- Excessive wear
- Scratches
- Gouges
- Sharp edges
- Presence of User Information sheet and User Instruction Manual.

## **USE OF THIS USER INFORMATION SHEET**

It is suggested that this User Information sheet be retained in a permanent record after it is separated from the TerrAdaptor Portable Anchor System and that a copy of it be kept with the device. It is suggested that the user refer to this User Instructions before and after each use of this device.



## **WARNING**

- **YOU COULD BE KILLED OR SERIOUSLY INJURED IF YOU DO NOT READ AND UNDERSTAND THE USER INFORMATION BEFORE USING THIS PIECE OF EQUIPMENT**
- **SPECIAL TRAINING AND KNOWLEDGE ARE REQUIRED TO USE THIS EQUIPMENT**
- **YOU MUST THOROUGHLY READ AND UNDERSTAND ALL MANUFACTURER'S INSTRUCTIONS BEFORE USE**
- **USE AND INSPECT THIS EQUIPMENT ONLY IN ACCORDANCE WITH THESE INSTRUCTIONS**

Manufactured by  
SEATTLE MANUFACTURING CORPORATION  
6930 SALASHAN PARKWAY- FERNDAL, WA. 98248 (800) 426-6251  
[WWW.SMCGEAR.COM](http://WWW.SMCGEAR.COM)

This sheet has been prepared in accordance with the requirements of NFPA



**Model NFPA230100**  
**TerrAdaptor Portable Anchor System**  
Manufactured by Seattle Manufacturing Corporation (SMC)  
Made in USA

**USER INFORMATION**

THIS PORTABLE ANCHOR SYSTEM HAS BEEN DESIGNED TO MEET THE PERSONAL PROTECTIVE EQUIPMENT REGULATION (EU) 2016/425.  
THE PPE HAS BEEN ASSESSED TO STANDARDS EN 795:2012 & CEN/TS 16415:2013.

**THE PRODUCT HAS BEEN FOUND TO CONFORM TO:**

CLASS B OF EN 795:2012 & TYPE B / MAX 2 USERS FOR CEN/TS 16415:2013. IN ASSESSED CONFIGURATIONS PER MANUFACTURER'S INSTRUCTIONS EC TYPE EXAMINATION & MONITORING CONDUCTED BY: UL International (Netherlands) B.V., Westervoortsedijk 60, 6827AT Arnhem, The Netherlands

**ANY USE OUTSIDE OF THE ASSESSED CONFIGURATIONS MAY INVALIDATE THE CE MARKING**

The TerrAdaptor Portable Anchor System has been assessed in the standard symmetric configuration for the Tripod and Quadpod (see page CE Certified Configuration section for setup criteria). This device incorporates stationary or travelling (mobile) anchor points for the attachment of components of a personal fall protection system in accordance with EN 363. This product is not suitable for use as an anchor device intended to allow more than two users, as equipment designed to conform to EN 516 or EN 517, or as a structural anchor. To ensure performance to these rigorous safety standards it is important to set up your TerrAdaptor System in only the assessed configurations detailed in CE Certified Configuration section.

**BEFORE USE**

The techniques employed in the proper and safe use of this equipment may only be learned through PERSONAL instruction received from an instructor who is well qualified in all phases of vertical rope work. Such instruction will include an evaluation of your comprehension of, and ability to perform, the tasks required to safely and efficiently use this equipment. Never attempt its use until you have received such instruction and are believed competent by your instructor. In addition, read and understand the attached user instruction manual.

**INSPECTION FOR USE**

Visually and by touch, inspect each of the component parts of the TerrAdaptor Portable Anchor System for cracks, distortion, corrosion, scratches or gouges, sharp edges or rough areas. Compare these parts with new ones if necessary to determine their condition. Review the assembly instruction manual section for detail descriptions of items to inspect. Remove each part from service if there is any doubt about its safety or serviceability.

**SET UP FOR USE**

The TerrAdaptor Portable Anchor System is a very versatile piece of equipment. The versatility and the sheer number of components in the system make this an extremely complex set-up for proper and safe function. User must get professional instruction as well as read and understand the attached user instructional manual. CE conforming configurations can be found in the CE Certified Configuration section. Use of configurations outside the scope of this section may invalidate the CE Mark

**MAINTENANCE AFTER USE**

Carefully clean and dry all component parts of this device to remove all dirt or foreign material and moisture. Minor sharp edges may be smoothed with a fine abrasive cloth, before cleaning. Return components to bags. Store in a clean, dry place.

## **REMOVAL FROM SERVICE**

This TerrAdaptor Portable Anchor System and/or a component piece should be removed from service if distortion of any part is apparent, if any cracks are apparent, if exposed to heat sufficient to alter its surface appearance or if it has scratches or gouges of more than a superficial nature. Review the assembly instruction manual for detail descriptions of potential problems with component parts.

## **ADDITIONAL INFORMATION**

Users must be medically fit for activities at height. **WARNING:** inert suspension in a harness can result in serious injury or death.

Users must have a rescue plan and be able to rapidly implement plan in case of difficulties encountered while using this equipment.

The anchor point should always be positioned to minimize the risk and length of fall.

When used in a fall arrest system the only acceptable body holding device is a full body harness.

**WARNING:** It is essential for safety to verify the free space required beneath the user at the workplace before each use to ensure that in case of fall there is no collision with the ground or other obstacle in fall path.

It is essential that if this product is re-sold outside the original country of destination the reseller shall provide instructions for use, for maintenance, for period examination and for repair in the language of the country in which the product is to be used.

When used in a fall arrest system, the dynamic forces exerted on the user during an arrest shall be a maximum of 6kN.

It is recommended to mark the TerrAdaptor with the date of the next or last inspection.

This device should only be used for personal fall protection and not for lifting equipment.

**WARNING:** If device has been used to arrest a fall it should be withdrawn immediately and should not be used until it has been inspected and confirmed acceptable.

**WARNING:** Do not make any alterations or additions to the TerrAdaptor without SMC's express written consent. Any repairs shall be performed in accordance with SMC's instructions.

**WARNING:** Ensure that sharp or abrasive surfaces are kept away from any rope or cordage and device. When setting up and operating the device be aware that hazards may be present including but not limited to; trip hazards, lines under tension and moving loads.

**WARNING:** The quick link used for attaching the hobble to the feet may not be used for any purpose other than securing the rope hobble to the feet.

It is important that components be cleaned and dried before being returned to their bags and stored.

The TerrAdaptor should be transported and stored in the provided bags. The weight of the bags as packaged by the manufacturer are as follows; Head Bag – 9.3kg (20.6 lbs) Leg Bag 1 – 19.25kg (42.5 lbs) Leg Bag 2 – 10.7kg (23.5 lbs) Leg Bag 3 (Quadpod Only) – 11.25kg (24.8 lbs)

## **ADDITIONAL TECHNICAL INFORMATION**

Additional information regarding this type of equipment can be found in the following publications:

- \* REGULATION (EU) 2016/425, Council Directive on Personal Protective Equipment
- \* EN 795, Standard for the Testing of Anchor Devices
- \* CEN TS 16415, Recommendations for Anchor Devices for use by more than one person simultaneously

## **RECORDS**

It is suggested that the user of this portable anchor system keep a permanent record listing the date and results of each usage inspection. Such record should show, as a minimum, inspection for all of the following conditions for each component of the system. Refer to the user manual for explanation detail for each component piece:

- Cleanliness
- Dryness
- Corrosion
- Distortion
- Excessive wear
- Scratches
- Gouges
- Sharp edges
- Presence of User Information sheet and User Instruction Manual.

## **USE OF THIS USER INFORMATION SHEET**

It is suggested that this User Information sheet be retained in a permanent record after it is separated from the TerrAdaptor Portable Anchor System and that a copy of it be kept with the device. It is suggested that the user refer to this User Instructions before and after each use of this device.



### **WARNING**

- **YOU COULD BE KILLED OR SERIOUSLY INJURED IF YOU DO NOT READ AND UNDERSTAND THE USER INFORMATION BEFORE USING THIS PIECE OF EQUIPMENT**
- **SPECIAL TRAINING AND KNOWLEDGE ARE REQUIRED TO USE THIS EQUIPMENT**
- **YOU MUST THOROUGHLY READ AND UNDERSTAND ALL MANUFACTURER'S INSTRUCTIONS BEFORE USE**
- **USE AND INSPECT THIS EQUIPMENT ONLY IN ACCORDANCE WITH THESE INSTRUCTIONS**
- **ANY USE OUTSIDE OF THE ASSESSED CONFIGURATIONS MAY INVALIDATE THE CE MARKING**

Manufactured by  
SEATTLE MANUFACTURING CORPORATION  
6930 SALASHAN PARKWAY- FERNDALE, WA. 98248 (800) 426-6251  
WWW.SMCGEAR.COM

This sheet has been prepared in accordance with the requirements of EU Standards and Directives

# SECTION 2

## ASSEMBLY INSTRUCTIONS

The TerrAdaptor is the most versatile and configurable portable anchor system on the market. This section will provide detailed information about each component in the system and how these components are assembled with one another. See Section 4 for instructions on setting up various configurations.

### Leg Tube Connections

The height of the TerrAdaptor is easily adjusted by means of telescoping leg sections. Adjustment holes in small diameter leg sections (referred to as **Perf Tubes**) are labeled 1 through 9 and adjustment holes for the larger diameter mid section tubes (**Mid Tubes**) are labeled X and Y (fig1). Configuration charts assume legs are oriented with 1 at the bottom and 9 at top. A setting of X7 would indicate that the pin is to be used at the mid tube X hole and go through hole 7 on the perf tube. (Please note that the 7 will be covered up by the mid tube in this process).



fig. 1: Leg markings

Leg connections and connections to various accessories are made by sliding the small diameter perf tube into the large diameter mid tube or other components and securing the connection with a **Leg Coupling Pin**. Leg coupling pins provide a secure connection when the pin is fully inserted and the bale is properly secured (fig. 2).



fig. 2: Properly secured Leg Coupling Pin

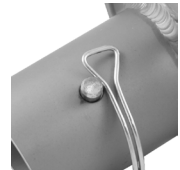


fig. 3: Improperly secured Leg Coupling Pin

### Height Adjustability – Leg Assembly Configurations

The TerrAdaptor can be used with as few as one leg section and is extendable up to a total of 4 sections per leg. The shortest leg configuration consists of just one perf tube attached to the head. Longer legs are assembled by alternating mid and perf tubes to reach the desired height as follows:

1. The perf tube is the initial starting point (this tube section will always be used to attach to the head)
2. Position and connect any lash rings where they might be needed
3. Orient and attach leg clamps, either offset or centered
4. Attach a mid tube as close to the leg clamp as possible. This connection is referred to as the **Upper Leg Coupling** in configuration charts
5. A second perf tube can be added by connecting it to the bottom of the mid tube at whatever setting achieves your desired leg length. This connection is referred to as the **Lower Leg Coupling** in configuration charts
6. For maximum length legs, an optional mid tube section (the 4th section) can be connected to the bottom of the perf tube. This connection is referred to as the **Optional Leg Coupling** in configuration charts
7. Any variety of foot options can be attached to the last leg section
8. No additional sections can be attached beyond the four mentioned above

### **Best Practice:**



When increasing the height of a tripod, fully extend the lower leg section before extending the upper leg section. The legs are strongest when the most amount of tube overlap is near the head section. All configurations used should follow this practice.

### **Care & Maintenance:**

File small dents and burrs from surface of leg sections. Clean parts with a water rinse and wipe dry. Clean parts last longer and assemble easier.

Legs can be bent under severe loading. Retire leg sections that won't fully slide into or over another leg section. Due to the potential causes of bent legs, they are not automatically replaceable. See the warranty section to determine the process of replacing bent legs.

Leg coupling pins (Part number 230301) should be replaced when worn or bent.

### **Warnings:**

- Do not tie into the leg coupling pin bail for any reason and avoid snagging with ropes and other rigging
- Do not substitute leg coupling pins (or other hardware) with “like-kind” from your local hardware store as they may not meet the necessary strength requirements. Replacement leg coupling pins can be purchased from your dealer.

### **Head Angle Adjustments**

Entirely unique to the TerrAdaptor is the ability to adjust the head angle in multiple directions. This allows the head to remain level even when the terrain is not. A level head means that rigging attached is clean, safe, and organized.

The main head and the half plate each have 10 oval shaped holes on the outside curve which serve as adjustment holes. The inner 6 holes are marked A through F for angle reference purposes. Head angle adjustments are achieved by pivoting leg clamps to desired angles A through F and locking in place by using three **Load Locking Head Pins**.

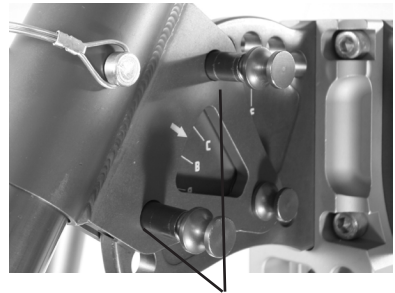


fig. 4: Load Locking Head Pins (parked position)

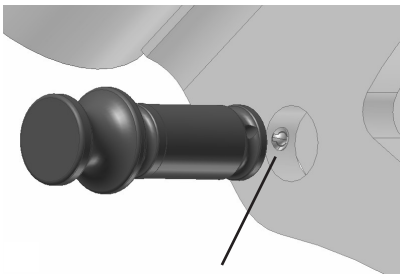


fig. 5: Detent Pin used to “Lock” the Load Locking Pin in place. Insert pin from this side.

The Load locking head pins are designed to “lock” in place with the inclusion of a detent pin (fig. 5) inserted into the leg clamp. Please note that the detent pin is only included on one side of each of the leg clamp assembly. The load locking pin must be inserted from the side which includes the detent pin. The load locking head pin can be locked in either the “parked” position as shown in figure 4 or the fully inserted position as shown in figure 6.

As the load locking head pins are designed to resist movement under loads, the head must be unloaded to adjust the leg angle. To adjust the angle, pull the two outer pins to the parked position, leaving the inner pin for the leg to pivot on (as configured in fig 4). Adjust to the desired or recommended angle and return the 2 parked pins to their fully installed positions (fig 6). Cotter pins are supplied for the load locking head pin if additional security is desired or if the pins could be subjected to inadvertent force which may push them out of position.



fig. 6: Fully inserted pins properly protruding from leg clamp

#### **Best Practice:**



Head angle adjustments are easiest to make when the TerrAdaptor is unloaded and laying flat on ground prior to final installation. Use Configuration Tables in Section 4 for recommended angles.

#### **Care & Maintenance:**

Clean parts with water rinse and wipe dry. Check for excessive wear on the load locking head pin as indicated by wearing through of the hardcoat anodizing.

Load locking head pins can be re-ordered as replacement parts (Part number 230260) when worn or lost.

#### **Warnings:**

- Do not use the device if the load locking head pins cannot be fully inserted. This may indicate that the device is not properly configured or excessive loads have caused some distortion beyond safe use.
- Check configuration tables for proper and safe angles (see Section 4).
- Retire load locking head pins when wear through of the hardcoat anodizing is evident.

#### **Leg Clamps**

Leg Clamps are the means of attaching leg sections to the main head of the TerrAdaptor. Two types of clamps, **Centered** and **Offset**, are used in the tripod configuration.

Although the different style leg clamps are safe to use in any position, the centered clamp is most commonly used on the rear leg (fig. 8), while the offset clamps are used in the side legs. For the typical tripod setup the offset clamps are oriented with the offset leg tubes facing forward (away from the rear leg) providing the most stable and symmetric configuration.



fig. 7: Offset Leg Clamps (left-facing forward, right-facing backwards) for illustrative purposes. Best practices has both offset leg clamps facing forward in a typical tripod configuration set up

In some setups, for space or rigging considerations, it may be desirable for both side legs to extend through the head. In this case, set one side leg clamp facing forward and the other backwards so that leg tubes may bypass each other without interference (fig. 8). This alternating forward and backward leg clamp arrangement is also ideal for rigging sideways A-Frames with greater stability and a greater working area under the head.

The perf leg tubes slide through the leg clamps and are secured in position by using the leg coupling pin. Leg clamps are attached to the head by means of 3 load locking head pins as shown in figure 6.

**Best Practice:**



Use centered leg clamp on the rear leg and set both offset leg clamps facing forward when configuring as a standard tripod.

For symmetric or edge-A tripods use centered leg clamp on the rear leg and set both offset leg clamps facing forward on the side legs.

For sideways A-frames use alternating forward and backward facing leg clamps.



fig. 8: Rear leg with centered leg clamp. Legs can bypass each other due to offset leg clamp orientation

**Care & Maintenance:**

Clean parts with water rinse and wipe dry.

Check for excessive wear of load locking head pin.

Check leg clamps for warping. If leg clamps have been warped, the entire system may be at risk. Refer to warranty section for information on replacing the leg clamps.

**Warnings:**

- Do not use device if any of the load locking head pins cannot be fully inserted.
- Check configurations tables for proper and safe angles to be used.
- Retire pins when worn or bent.
- Do not use the system if leg clamps are warped or damaged such that they do not move freely with mating parts.

## Modular Foot System

The **Modular Foot System** was developed to facilitate more advanced rigging situations often encountered with the versatile TerrAdaptor. They were designed to be interchangeable to make it easier to meet your specific rigging needs. The design also provides for one or more high strength auxiliary attachment points and can be positioned at 45 degree increments within either of the leg tube styles, thus providing extreme versatility while at the same time providing the strength you need for a secure system.

The Modular Foot System has three options to choose from: the spiked **Talon Foot**, the broad rounded **Rocker Foot (included in kits)** and the **Articulating Foot**. Each of the three feet options can be secured to a **Modular Foot Adaptor**, which in turn is secured into either a Mid Tube or a Perf Tube. You can decide to purchase one Modular Foot Adaptor for each leg and interchange the foot based on your current needs if saving space or money is your primary concern. Or you can purchase a Modular Foot Adaptor for each foot option and eliminate the need to interchange them if you want the convenience of having any foot at the ready.

Or consider a combination of both by having the type of foot you use on a normal basis for each leg along with one or two others ready to go when the option of throwing on that perfect foot is the ideal set-up for your current situation.

**Modular Foot Adaptor (P/N 230540)** slides into either the perf tube or mid tube and is secured by using the standard leg coupling pins.

To attach the foot to the Modular Foot Adaptor (Fig 9), insert the foot “L” slot onto the pin which is secured in the adaptor, slide into position and tighten the special piloted set screw until it is flush and tight. The screw should not protrude from the adaptor. A long arm hex key is provided for securing the set screw.

To remove the foot from the adaptor, loosen the piloted screw until the foot is able to slide over the secured pin. It is not necessary to remove the special piloted set screw completely in order to remove the foot from the adaptor.

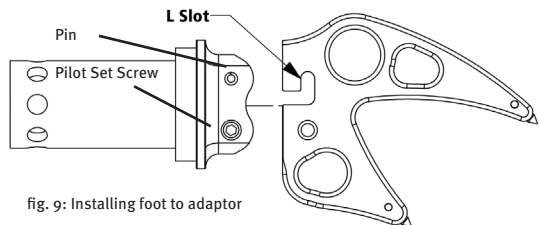


fig. 9: Installing foot to adaptor

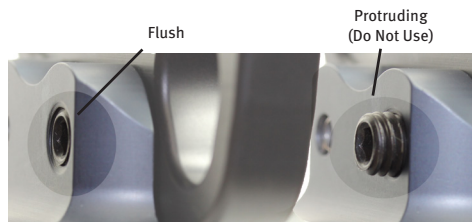


fig. 10: Proper set screw installation

Modular Foot Adaptor



Articulating Foot



Rocker Foot



Talon Foot



**Talon Foot (P/N 230510)** consists of a long and short aluminum spike, each with a hardened steel tip. The Talon is designed to deeply penetrate softer surfaces or bite into harder surfaces with their hardened points. With the long spike deeply embedded in a surface there are still two large full strength clip points (see Table 2-1) available for a hobble, rigging or tie-back.

The shorter spike, in conjunction with the longer primary spike, form the shape of a talon which allows the Talon foot to perch on objects such as pipes, roots, structural steel, and rock outcroppings to provide a more stable placement than a single spike foot.

Spikes can be sharpened with a hand file or replaced as they wear. To replace spikes, loosen the small set screws on the side of the Talon points and with hand pliers pull the spikes out from the end. Install new spikes and then tighten the set screws.



Talon Foot



fig. 11: Talon foot use

The spikes are extremely sharp and should be covered with the provided plastic protectors when not in use. If not packed carefully, the spikes may permanently damage the TerrAdaptor bags and scratch other components.



fig. 12: Talon foot spike removal



**Rocker Foot (P/N 230500)** is ideal for situations where you want to maximize the amount of surface on the ground. This results in better flotation and less damage to flooring, roofing, or whatever surface the TerrAdaptor is standing on.

The Rocker Foot can also achieve greater lean angles which is especially important on the rear leg when it is stretched out in a lazy leg configuration. The Rocker Foot has two full strength auxiliary attach points (see Table 2-1) that can be clipped even when the leg is rigged almost completely flat to the ground. It is important to note that the rocker is not symmetric so it may need to be flipped to reach the highest lean angles. The asymmetrical design also forms a hook arm that helps create a more rigid tie-in to objects such as angle iron or plate.



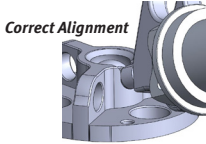
Rocker Foot

**Articulating Foot (P/N 230530)** with a rubber pad and a swiveling ball socket, is ideal for use on hard flat surfaces such as concrete or flooring as it provides a slip resistant placement that is less likely to damage the surface. Holes are also provided in the flat base for attaching directly to the surface by means of inserting screws, bolts, or driven spikes.

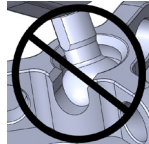
If the angle between the leg and the surface does not allow the base of the articulating foot to rest flat on the surface, the base needs to be rotated to align the notch which allows the base to rest flat on the surface. If the base does not rest completely flat against the surface, relatively light loads will damage the ball socket joint and/or could cause complete failure of the socket joint resulting in the base being detached from the TerrAdaptor.



Articulating Foot



Correct Alignment



Incorrect Alignment

The articulating foot provides for three large holes directly on the foot for lashing, as well as a single high strength auxiliary attachment point on the adaptor plate (see Table 2-1).

**Best Practice:**

Select the feet option and desired position before setting up the tripod. The feet are not easily exchanged once the TerrAdaptor is loaded or the hobbles have been tighten.



Evaluate the forces that the modular feet could be exposed to and review Table 2-1. Consider other rigging methods if forces approach or exceed the stated breaking strength.

Securing the feet directly to anchors will create a more rigid setup and should be done when possible.

**Care & Maintenance:**

The feet and quick link can be cleaned with a water rinse and simple wipe dry.

Check all components for bending and warping which could indicate overloading.

Because the auxiliary attachment points on the modular feet can be both tied into and clipped into, pay careful attention to sharp edges or burrs that may have developed. Lightly file or sand off burrs before use.

Periodically remove the feet from the Modular Foot Adaptor. Check fasteners and spikes for rust or corrosion that could impair function. Clean and protect with LPS#1, WD40 or equivalent once cleaned.

If the spike becomes dull and rounded from use, the point can be lightly filed with a common file until sharpened.

**Warnings:**

- Carabiners clipped into auxiliary attachment points on the modular foot adaptor should be positioned to avoid cross or side loading.
- Using the TerrAdaptor without feet is not advisable. Contact of leg ends on hard surfaces will permanently damage the legs.
- For extremely wide leg angles the leg must be aligned with the notch in the foot base to avoid damage or failure of the ball socket joint, when using the articulating foot.

## Cam Strap Hobble (P/N 230300)

Hobble straps are an important structural element for the TerrAdaptor. It is critical to understand that the ultimate strength and security of any configuration depends on preventing the feet from moving by either hobbling the legs or direct anchoring of the feet (or legs) through bolting, lashing, or other means of eliminating the possibility of movement of the legs.

After configuring the leg clamp angles and leg lengths of the TerrAdaptor, attach the hobble straps by clipping each connection hook to an attachment point on the feet (fig. 13).

If there are not enough connection points available for two hooks at a foot, connect one hook to available connection point, and connect the next hook to the eye of the first hook (fig. 14).

Adjust the length of the hobble strap by pulling on the tail to remove the slack between the feet. Repeat this with each of the hobble straps. For final adjustment, tighten each hobble strap until each leg flexes slightly, or in the case of an NFPA configuration, until the correct hobble length is reached. Tables included in Section 4 of the this manual include the ideal hobble adjustment length for the various configurations.



fig. 13: Cam Strap Hobble attachment points

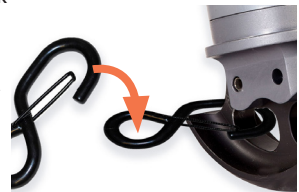


fig. 14: Hobble hook connecting to eye of another hobble hook

### **Best Practice:**



Adjust the head angle, leg length and leg heights before the hobble is attached and tightened. Even a lightly tightened hobble can make other adjustments difficult to accomplish.

### **Care & Maintenance:**

Clean with water and a mild detergent. Dry with soft cloth and remove all dirt, foreign material, and moisture. Inspect webbing for any cuts, tears, abrasions, or damage. Ensure cam buckles move freely and are free of dirt, debris, or corrosion. Inspect hooks for any cracks, tears, gouges or bends and ensure proper operation of hook gate. Store in a clean and dry area.

### **Warnings:**

- Do not use the TerrAdaptor without feet hobbled, lashed or somehow secured into position.
- Hobble straps may deteriorate with prolonged exposure to the elements
- Sharp edges may cut ropes and webbing. Always protect the Hobble Straps from sharp edges or abrasive surfaces that may damage the webbing
- Use chain rather than hobble straps when hobbling in an environment where chemicals that may damage or harm the webbing are present
- Do not use hobble straps as guylines in monopod or bipod configurations
- Do not step on cam buckles as it could release the strap
- Do not use the hobble strap as an anchor sling or use it in any situation where a load is suspended from it.

## Main Attachment Point

The main load bearing attachment point on the TerrAdaptor is a two position yoke located at the bottom of the main head. Items are attached to the head with the use of the Main Attachment Pin (MBS 13,000 lbs), which is a quick release ball lock pin (fig. 15). Insert the main attachment pin into the yoke while holding the release button in.



Fig 15 Main Attachment Yoke

Once the main attachment pin is in place, the release button will “pop” back out (fig. 17) and the ball lock detent pins will engage and prevent the pin from being pulled back through the yoke.



Fig 16

- The narrow portion of the yoke is designed for an auxiliary sheave but is also suitable for a rescue carabiner or other gear (fig. 16).
- The wide portion of the yoke is designed for bulky gear such as swivels or multi-sheave pulleys, but again, is suitable for all types of rescue gear. The wide yoke is also preferred for use with pulleys when shifting loads may side load a pulley restricted by the narrow yoke (fig. 16).

### Best Practice:



When changing out gear there is no need to fully remove the main attachment pin from the yoke as it can be temporarily parked in the last attachment hole. This facilitates the ease of using both hands to maneuver the gear into the yoke and then sliding the pin back through the entire yoke area.



fig. 17 : Release Button



fig. 18: Left pin – retired due to wear and detent pins not properly working; Right pin – in good working condition

## Care & Maintenance:

Clean parts with water rinse and wipe dry.

Check that release button moves freely (fig. 17) and that locking detent pins move in and out with release button (fig. 18).

Check proper pin engagement in yoke by attempting to pull the main attachment pin out of the yoke without depressing the release button; if removable without depressing button, **do not use** and retire pin immediately (Part number 230311).

Check that pin is not bent or dented by installing pin into yoke; it should move freely in and out when release button is depressed.

## Warnings:

- Do not run a moving rope directly over the main attachment pin. This may cause excessive wear on the pin and/or cause the pin to roll and potentially cause wear damage in the yoke attachment holes
- Retire main attachment pin if button or ball detents do not return to “popped” out position once released
- Do not use load attachment pin that is bent or does not function properly

## Auxiliary Attachment Points

There are three Auxiliary Attachment Points on a tripod head that are suitable for clipping carabiners and other rigging gear into (fig. 19). Do not clip into the head angle adjustment holes as these are not designed as load bearing connection points.

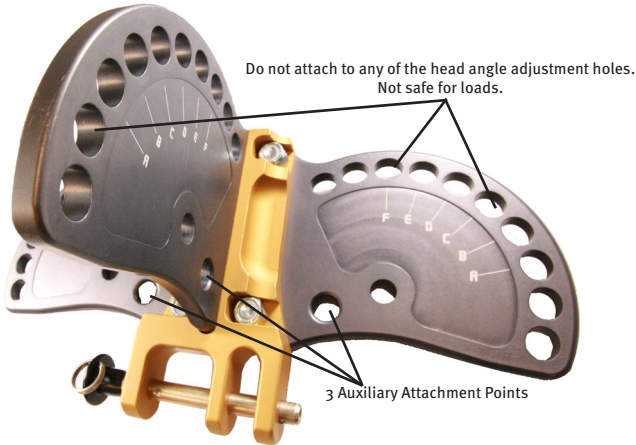


fig. 19: Head Auxiliary attachment points

### Care & Maintenance:

Clean parts with water rinse and wipe dry.

### Warnings:

- Do not clip into head angle adjustment holes

## Head Assembly – Tripod, Quadpod, A-Frame/Bi-Pod

The TerrAdaptor Tripod head consists of a Main Plate with a single attached Half Plate. A Quadpod head consists of a main plate with two half plates. Half plates can remain attached to the main plate even if they are not used in the configuration.

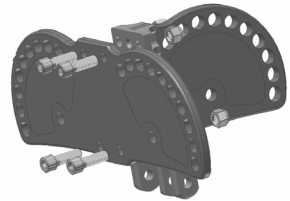


fig. 20: Half Plate attachment to Main Plate

Half plates are attached to the main plate with the Yoke facing down. To attach half plates, clean all parts (including nuts and bolts) then select bolts (long for quadpod or short for tripod) and insert all 4 bolts and hand tighten into nylon locking nuts. Then tighten all 4 bolts to 450 in/lbs and check that assembly is tightly mated and that the bolt protrudes beyond flush on all four bolts as shown in figure 21.

To remove half plates, loosen and remove all 4 bolts, then separate half plates from main plate.



fig. 21: Bolt protrudes just beyond flush



### Best Practice:

Leaving the half plate on while using as an A-Frame allows for quicker setup times and more available lash and load points.

## Care & Maintenance:

Check attachment holes for sharp edges and burrs. File or sand to remove sharp edges.

Check main and half plates for bends and/or warping. This could indicate over loading of the head. See the warranty section for the replacement policy on these component parts.

Check to make sure all 4 bolts are tight before each use. Any small gap between the head plates and half plates may cause significant instability when the system is loaded.

## Warnings:

- The three screws attaching the half plate to yoke plate as shown in figure 22 are not user serviceable. Do not remove.
- Do not lash or attach other gear to the array of holes intended for the load locking head pins. Damage in this area will disrupt normal adjustment of head angle (fig. 19)
- Do not substitute nuts or bolts (or other hardware) with “like-kind” from your local hardware store as they may not meet the necessary strength requirements. Replacement bolt kits can be purchased from your dealer (part number 230326)



fig. 22: Do not remove these screws

## Lash Ring (P/N 230230)

The TerrAdaptor Lash Ring is designed to provide multiple attach points for stabilizing the tripod. Each TerrAdaptor tripod comes with 2 lash rings and additional accessory lash rings are available for purchase, if desired. Lash rings can be installed in any position, in any quantity and in any orientation along the perf tubes (small diameter leg). For lighter loads, especially in a MonoPod configuration, the lash ring may serve as an auxiliary main attachment point.

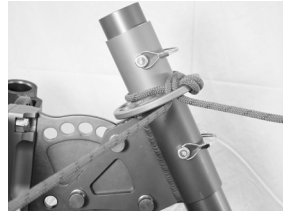


fig. 23: Lash Ring on Tripod

### Best Practice:



When a tieback could be subjected to a load over 5,000 lbs (22 kN), consider clipping directly into the stronger holes on the head plate rather than the lash ring.

## Care & Maintenance:

Check for bending and warping which could indicate overloading.

Because the lash ring is both tied into and clipped into, pay careful attention to sharp edges or burrs that may have developed. Lightly file or sand off burrs before use.

Additional lash rings may be purchased (Part number 230230).



fig. 24: Lash Ring used near foot section for increased stability

## Warning:

- Carabiners clipped into lash rings should be positioned to avoid cross or side loading.

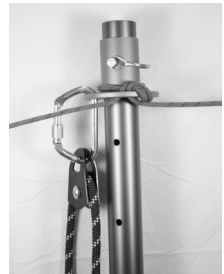


fig. 25: Lash Ring atop gin pole as main attachment

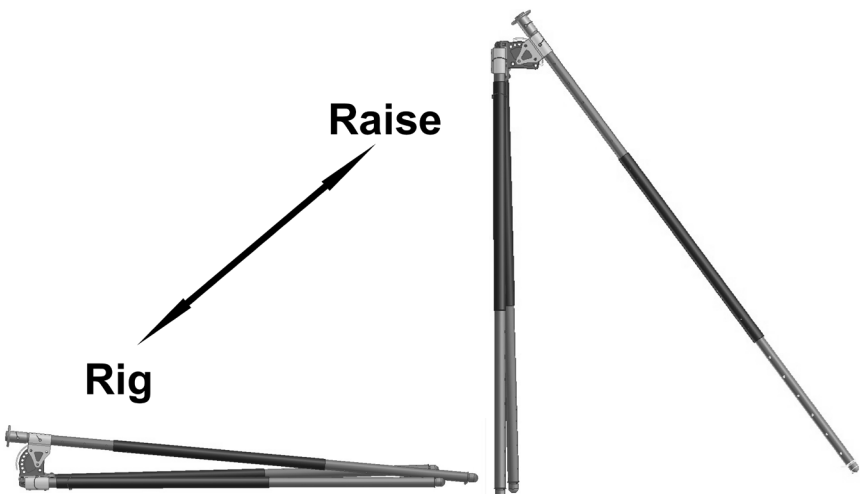
**Table 2-1 - Strengths of auxiliary attachment points**

Auxiliary Attachment Point	Breaking Strength	
Lash Ring – Single Hole	4,500 lbf.	20kN
Lash Ring – Opposing Holes	5,600 lbf.	25kN
Talon Foot	6,744 lbf.	30kN
Rocker Foot	6,744 lbf.	30kN
Articulating Foot Adaptor	6,744 lbf.	30kN
Quick Lash – Straight Pull	6,744 lbf.	30kN
Quick Lash – Pulled to Side	3,372 lbf.	15kN
Winch Brackets	6,744 lbf.	30kN
Head Auxiliary Attachment Points	8,000 lbf.	36kN

**Final Assembly – How to put it all together**

The fastest and safest way to set up any configuration of the TerrAdaptor system is to start with it lying on the ground, if possible. Each situation is different and users are responsible for ensuring their own safety while erecting and using this product. Erecting a typical Tripod configuration can be done by laying it out on the ground as follows:

1. First set all legs to target height
2. Attach feet to the legs
3. Attach front legs to the leg clamps on the main plate, setting leg angles at this time
4. Still leaving the TerrAdaptor flat on the ground, attach the rear leg to the leg clamp on the half plate pivot point, and lock in angle, if desired
5. Rig safety ropes, lines or webbing; also installing rigging in the yoke at this time may be desirable especially when the yoke may be out of reach once tripod is standing
6. Raise the TerrAdaptor upright by lifting front legs and tilting towards the rear leg
7. Recheck all connections before continuing to rig tripod
8. Carefully and with all necessary safety measures, move unit into position before attaching hobbles or securing feet



# SECTION 3

## TERRADAPTOR ACCESSORIES

### QuickLash (P/N 230370)

The TerrAdaptor's ability to provide unlimited rigging options with variable head angles and leg positions make it the most versatile portable anchor system on the market. Now we have added even more versatility to the system with the QuickLash, an auxiliary anchor point that can be added before, during or even after the setup of the TerrAdaptor.

The **QuickLash** simply connects to the Perf Tube (grey tube) with the supplied quick release pin. Insert the pin through both holes of the QuickLash and make sure the ball is visible on the outside, as shown in figure 27, to assure proper installation.

The QuickLash can be used as a connection point for a single or multi-directional tieback, attached at the foot connection point, attached on the inside of the leg to be used as a tie down support for greater stability of the system, and/or used as an attachment point for hanging pulleys or other gear. The greatest feature of the QuickLash is its ability to be added into the system at any time without having to disassemble component parts to place it on the tube where you need it and doing so without having to sacrifice strength considerations. When the QuickLash is loaded straight along the major axis the strength is 30kN and 15kN when pulled to the side at 90 degrees (when following all normal guidelines for tripod rigging and use).



QuickLash



fig. 26: QuickLash Installed on Perf Tube

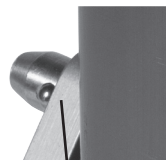


fig. 27: Ball should be visible

#### **Best Practice:**

Evaluate the forces in which the QuickLash could be exposed to and review Table 2-1. Consider other rigging methods if forces approach or exceed the stated breaking strength.



Avoid rigging loads to the QuickLash that will rotate or twist the leg tubes.

Use the supplied cord to tether the QuickLash and long ball detent pin together to prevent dropping or loss of the pin.

#### **Care & Maintenance:**

Check all components for bending and warping which could indicate overloading.

Before attaching rope or webbing directly to the QuickLash inspect carefully for sharp edges or burrs that may have developed. Lightly file or sand off burrs before use.

#### **Warning:**

- Do not use the leg coupling pins supplied with the TerrAdaptor to attach the QuickLash as these pins are not long enough to properly secure the QuickLash
- Do not use the device if the quick release pin is bent or the ball does not fully extend beyond the outside of the hole in the QuickLash
- Improper rigging can cause twisting or rotating of the legs and should be avoided

## Space Station (P/N 230600)

Designed for rope technicians who use the TerrAdaptor to push the boundaries of what is possible with artificial high directionals, the Space Station adds even more capability to the world's most versatile industrial tripod.

The Space Station is comprised of a Fixed Module and a Free Module. The Modules can be used in a coupled configuration or individually, as needed. The Free Module has a rotating rigging plate that will self-align with the load or when using guy lines. The Fixed Module has a rigging plate that will not rotate freely, which can be useful in situations when a connection in a specific position is needed.

Both modules can be combined to create a double decker head for a monopod or davit arm configuration. This configuration allows for rigging guy-lines/tie-backs to the Free Module and rigging loads from the Fixed Module. Rigging the load below the guy-lines creates a more stable system and minimizes the possibility of capsizing the system in shock-loading or dynamic events.

Each module can be used separately with the TerrAdaptor in several configurations. The modules are color-coded to indicate which TerrAdaptor tubes they are compatible with: the Free module has a gray tube which can be connected to orange Mid-tubes and the Fixed module has an orange tube which can be connected to a gray Perf-tube.

The rope horn and rigging plate have been designed to reduce the number of carabiners needed by looping a bight of webbing, cord or rope through the rigging plate and over the horn.



### Care & Maintenance:

Check all components for bending and warping which could indicate overloading.

Before attaching rope or webbing directly to the QuickLash inspect carefully for sharp edges or burrs that may have developed. Lightly file or sand off burrs before use.

Carefully clean with water and a mild detergent. Dry with soft cloth and remove all dirt, foreign material, and moisture. Minor sharp edges may be smoothed with a fine abrasive cloth before cleaning. No lubrication is required. Store in provided bag in a clean and dry area.

### Warning:

- The included 5½” attachment pin should NOT be used to join the rigging plates when using the coupled configuration in a monopod application.
- When attaching the Space Station to the TerrAdaptor head, do not use the 4½” main attachment pin that is provided with the TerrAdaptor, as it is too short to create a secure connection
- When attaching the Space Station to the TerrAdaptor head, ensure main attachment pin is fully engaged in TerrAdaptor yoke before use
- Do not use Space Station to join two grey perf-tubes together

## Speedlock Pin Kit (P/N 230297)

The Speedlock Pin Kit includes 12 ball-lock pins that enable faster deployment and breakdown of the TerrAdaptor Portable Anchor System. The ball-lock mechanism ensures quick, easy, and secure connections between system components. The pins can also easily be clipped to a harness or bag with attached split ring, so they are ready when you need them most.



Use the Speedlock Pin to connect TerrAdaptor leg sections, feet and leg clamps only. Insert the Speedlock Pin through the aligned holes while holding in the release button. Once the Speedlock Pin is in place, release the button & the ball lock will engage & prevent the pin from being pulled out. To ensure proper installation, make sure the balls are visible on the outside, as shown in figure 1. Check proper pin engagement by attempting to remove the Speedlock Pin from the assembly without depressing the release button.

### Care & Maintenance:

Clean parts with water rinse and wipe dry.

Check that release button moves freely (fig. 30) and that locking detent pins move in & out with release button (fig. 31).

Check proper pin engagement in yoke by attempting to pull the main attachment pin out of the yoke without depressing the release button; if removable without depressing button, **do not use** and retire pin immediately.

Check that pin is not bent or dented by installing pin into yoke; it should move freely in and out when release button is depressed.

### Warnings:

- If pin is removable without depressing the button, **do not use** pin and retire it immediately
- Retire any pins if button or ball detents do not return to “popped” out position once released
- Do not use any pins that are bent or do not function properly



fig. 30 : Release Button



fig. 31: Left pin – retired due to wear and detent pins not properly working; Right pin – in good working condition

# SECTION 4

## CONFIGURATIONS AND SET-UP TABLES

### Standard Configurations

The TerrAdaptor is both very modular and highly adjustable, lending itself to an almost unimaginable number of configurations. We have identified and tested a core group of configurations that we feel addresses a broad range of rope rescue applications. By providing this information we hope that users will find configurations that fit their needs as well as provide a basis for developing new configurations. **As with any piece of rope rescue gear, the user is ultimately responsible for ensuring that it meets their safety and performance requirements.**

The following section outlines the core group of configurations and provides the TerrAdaptor settings used to achieve the configurations. Each table includes the required setting for head angles, leg height adjustment references, and hobble lengths to achieve various heights. The table also identifies the manufacturers tested breaking strength of the system at the acquired height.

The height indicated on the table is the height from the ground to the main attachment point and is expressed in feet. If there is “N/A” in the leg section, then the third or fourth leg is not needed to achieve the designated height. For example, to achieve the 5-foot height, only the first two legs are needed and they are joined at Y4. If a 7-foot height were desired three tubes would be required.

Also note that the main plate head angle settings are expressed with 2 listings for both the left and right hand side of the head. In all of the examples listed below, the angles are the same on both sides of the head, but this may not always be the case in the field. The placement of lash rings may vary based on leg height and configurations. See Section 2 for more details.

### I. Symmetric Tripod (includes NFPA configuration)

Symmetric Tripods are typically used for straight vertical access such as above manholes or access hatches. When straddling a manhole or access hatch, a symmetric tripod's feet are equal distance from the center of the manhole or hatch. All three legs are equally loaded. This is most often the strongest tripod configuration.



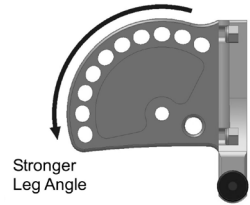
**Table 4-1**

Symmetric Tripod			Main Plate Head Angle Settings - A/A					
			Half Plate Head Angle Settings - B					
Height		Upper Section Coupling	Lower Section Coupling	Optional Section Coupling	Hobble Length	Breaking Strength		Applicable Standards
feet	meters					lb.	kN	
4	1.22	X7	n/a	n/a	42"	12,200	54.3	NFPA, CE, ASTM
5	1.52	Y4	n/a	n/a	54"	12,000	53.4	NFPA, CE, ASTM
6	1.83	X2	n/a	n/a	60"	9,300	41.4	NFPA, CE, ASTM
7	2.13	Y7	X9	n/a	69"	12,100	53.8	NFPA, CE, ASTM
8	2.44	X5	X9	n/a	70"	8,000	35.6	NFPA, CE, ASTM
9	2.74	Y2	X9	n/a	78"	7,000	31.1	CE, ASTM
10	3.05	X1	X9	n/a	78"	7,000	31.1	CE, ASTM
11	3.35	X6	X9	X1	78"	7,000	31.1	ASTM
12	3.66	Y3	X9	X1	78"	5,600	24.9	ASTM
13	3.96	X1	X9	X1	78"	4,600	20.5	



**How Head angles affect tripod strength**

There are many factors that go into the proper set-up and stability of a tripod system, which is why intensive personal training is required with the TerrAdaptor. Two of the main factors affecting the total strength and safety of a placement are the head angle used and the overall height of the system. As a guideline, for a given height, the wider the head angles the lower the strength. For example, the following table shows how a 7-foot tripod breaking strength declines from 12,100 lbf. to 7,700 lbf. just by slightly increasing the head angle.



**Table 4-2**

Symmetric Tripod Setup Angle Comparison								
Height		Main Plate Head Angle Settings	Half Plate Head Angle Settings	Upper Section Coupling	Lower Section Coupling	Hobble Length	Breaking Strength	
feet	meters						lb.	kN
7	2.13	A/A	B	Y7	X9	Tight	12,100	53.8
7	2.13	B/B	C	Front - X5 Rear - Y6	Front - X9 Rear - X9	Tight	10,100	44.9
7	2.13	C/C	D	Front - Y2 Rear - X6	Front - X9 Rear - X9	Tight	7,700	34.3

**Wide Tripod Configurations**

In many cases a wide and more stable configuration is desirable even at the expense of breaking strength. Wide configurations also offer a larger work area under the tripod. The following table shows strength of a few wide stable configurations which have very large work areas.

**Table 4-3**

Symmetric Tripod – Wide Setup								
Height		Main Plate Head Angle setting	Half Plate Head Angle setting	Upper Section Coupling	Lower Section Coupling	Hobble Length	Breaking Strength	
feet	meters						lb.	kN
7	2.13	B/B	C	Front – X5 Rear – Y6	Front – X9 Rear – X9	Tight	10,100	44.9
8	2.44	B/B	C	Front – Y2 Rear – Y4	Front – X9 Rear – X9	Tight	9,600	42.7
8.5	2.59	B/B	C	Front – X1 Rear – X3	Front – X9 Rear – X9	Tight	8,300	36.9

**II. Symmetric Quadpod (includes NFPA configuration)**

Symmetric Quadpods fill the same role as symmetric tripods, but with added strength and stability of a fourth leg.

**Table 4-4**

Symmetric Quadpod			Main Plate Head Angle Settings - A/A					Applicable Standards
			Half Plate Head Angle Settings - A/A					
Height		Upper Section Coupling	Lower Section Coupling	Optional Section Coupling	Hobble Length	Breaking Strength		
feet	meters					lb.	kN	
4	1.22	Y7	n/a	n/a	29"	13,000	57.8	NFPA, CE, ASTM
5	1.52	X5	n/a	n/a	33"	12,100	53.8	NFPA, CE, ASTM
6	1.83	Y2	n/a	n/a	36"	12,100	53.8	NFPA, CE, ASTM
7	2.13	Y7	X9	n/a	38"	12,200	54.3	NFPA, CE, ASTM
8	2.44	Y5	X9	n/a	40"	12,600	56.0	NFPA, CE, ASTM
9	2.74	Y3	X9	n/a	42"	8,000	35.6	NFPA, CE, ASTM
10	3.05	X1	X9	n/a	46"	8,000	35.6	CE, ASTM
11	3.35	Y7	X9	X1	46"	8,000	35.6	ASTM
12	3.66	Y4	X9	X1	46"	7,100	31.6	ASTM
13	3.96	X1	X9	X1	46"	5,100	22.7	ASTM



**III. Edge-A Tripod**

Probably the most popular configuration for an over the edge rescue, the Edge-A Tripod is essentially an A-Frame with the added stability of a third leg. Edge A configurations are popular for their large work areas, high strength and the ability to configure the A leaning either over or away from the edge. The TerrAdaptor’s rear leg can be left to hinge (unsecured) or can be pinned in place for added stability.

**Table 4-5**

Edge A Tripod			Main Plate Head Angle Settings - B/B					
Height	Half Plate Head Angle	Upper Section Coupling	Lower Section Coupling	Hobble Length	Breaking Strength		Applicable Standards	
					lb.	kN		
6	1.83	D	Front – Y7 Rear – X1	Front – X9 Rear – X9	Front – 112" Side – 136"	9,100	40.5	ASTM
7	2.13	C	Front – X5 Rear – X1	Front – X9 Rear – X9	Front – 116" Side – 122"	9,600	42.7	ASTM



#### IV. A-Frame/Bi-Pod

The TerrAdaptor is easily configured as a standard A-Frame or a Sideways A-Frame often used in narrow areas like catwalks. The half plate can be removed to eliminate weight and opportunities for it to be in the way, or it may remain attached.



**Table 4-6**

A-Frame			Main Plate Head Angle Settings - B/B				
Height		Upper Leg	Lower Leg	Hobble Length	Breaking Strength		Applicable Standards
feet	meters				lb.	kN	
7	2.13	X5	X9	120"	5,600	24.9	ASTM

#### V. Gin Pole/Monopod

The Gin Pole or Monopod is the TerrAdaptor's lightest high anchor configuration. A properly rigged gin pole/monopod can support several thousand pounds while remaining a lightweight, single leg assembly. The Gin Pole is also ideal for close quarters where there is not enough room for multi-leg configurations. Breaking was strength determined using three leg sections.



**Table 4-7**

Monopod							
Height		Upper Leg	Lower Leg	Hobble Length	Breaking Strength		Applicable Standards
feet	meters				lb.	kN	
8'	2.44	Y6	Y9	n/a	4,500	20.0	

#### VI. Horizontal Span

Unlike other tripods, the TerrAdaptor can be configured to span horizontal voids such as trenches, catwalks, pits or small streams. As shown in this figure a void can be spanned by using either 1 or 2-leg assembly depending on the span length and strength required.

**Table 4-8**

Horizontal Beam						
Span		Leg Tubes	Breaking Strength		Applicable Standards	
feet	meters		lb.	kN		
4'	1.22	Single	5,600	24.9		
4'	1.22	Double	8,200	36.5		
6'	1.83	Single	3,500	15.6		
6'	1.83	Double	5,900	26.2		
8'	2.44	Double	4,000	17.8		



#### Warning

The horizontal span can be one of the weakest configurations and should be used with great caution.

#### VII. Cantilevers and Davit Arms

The unique design of the TerrAdaptor allows users the ability to create a variety of configurations beyond the standard ones shown above such as cantilevers or davit arms. Cantilevers have the effect of multiplying forces of applied loads. Because of this, it is possible that a load that a standard tripod could easily withstand would exceed the capacity of system components if that load is applied to a cantilevered configuration. Because of this, cantilevers or davit arm configurations, especially unsupported cantilevers, should be used with extreme caution.

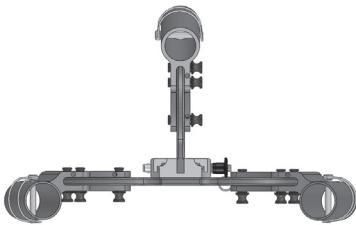
**VII. CE Certified Configurations** - Use of any other configurations may invalidate the CE Mark  
 The following section outlines the configurations for which the TerrAdaptor has been tested and certified to EU Standards. The tables below detail the settings for the Main Plate & Half Plate as well as the orientation of the Offset Leg Clamps.

**All configurations detailed below are required to:**

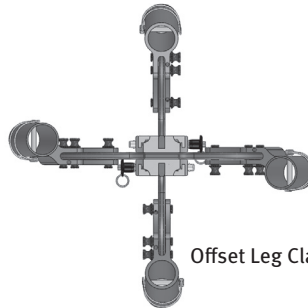
- Have all legs at equal extension
- No more than two perf tubes per leg
- No more than one mid tube per leg
- May not include a winch
- The only acceptable anchor points are the main attachment pin and any of the auxiliary attachment holes located on the Main or Half plates.
- Any feet may be used
- Follow instructions for assembly of all other components per Section 2

**Table 4-9**

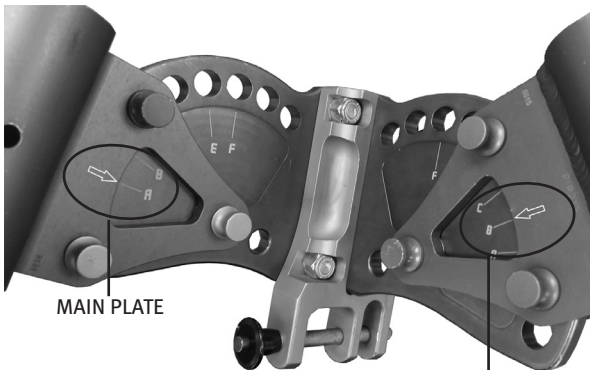
	Standard Symmetric Tripod			Standard Symmetric Quadpod		
	Main Plate	Half Plate	Leg Clamp	Main Plate	Half Plate	Leg Clamp
Narrow	A/A	B	Facing Out	A/A	A/A	Opposing
Mid	B/B	C	Facing Out	B/B	B/B	Opposing
Wide	C/C	D	Facing Out	C/C	C/C	Opposing



Offset Leg Clamps Facing Out



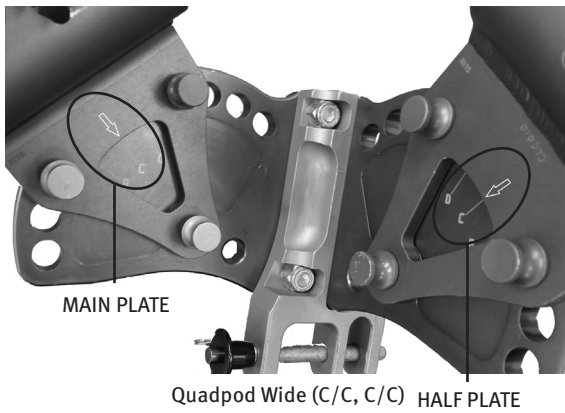
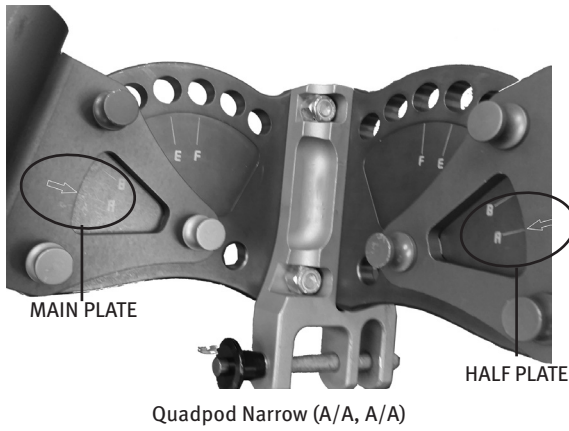
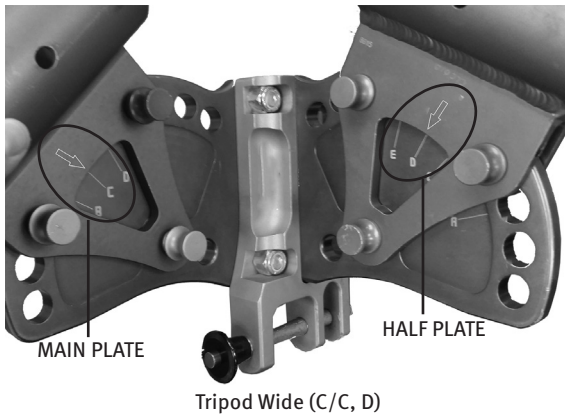
Offset Leg Clamps Opposing



MAIN PLATE

Tripod Narrow (A/A, B)

HALF PLATE



## Field Use Charts

The following blank charts are provided as a tool to document the settings that are used by your team. Consider copying and placing laminated sheets in your kit to aid in fast set-ups once you have established the ideal settings for your applications.

Tripod			Main Plate Head Angle Settings - /			
			Half Plate Head Angle Settings - /			
Height	Upper Coupling Section	Lower Coupling Section	Optional Coupling Section	Hobble Length	Notes	

Edge A Tripod			Main Plate Head Angle Settings - /			
Height	Half Plate Head Angle	Upper Coupling Section	Lower Coupling Section	Hobble Length	Notes	

A-Frame			Main Plate Head Angle Settings - /			
Height	Upper Leg	Lower Leg	Hobble Length	Notes		

Symmetric Quadpod			Main Plate Head Angle Settings - /				
			Half Plate Head Angle Settings - /				
Height	Upper coupling Section	Lower Coupling Section	Optional Leg	Lower Leg	Hobble Length	Notes	

Warranty Registration Information - Make sure you register your unit online at [www.TerrAdaptor.com](http://www.TerrAdaptor.com)

Name:
Address:
Phone:
Email:
Purchase Date:
Purchased From:
Manufactures Lot Number (MLN):

See below for an Inspection and Maintenance Log Example. Download usable sample at [www.TerrAdaptor.com](http://www.TerrAdaptor.com)

Item	Qty	Date	Inspected By	Findings	Safe for Use
Main Plate					
Half Plate					
Main Attachment Pin					
Short Bolt with Nut					
Long Bolt with Nut					
Sheave Assembly					
Load Locking Head Pins					
Leg Coupling Pins					
Cotter Pins					
Lash-Ring					
QuickLash					
Centered Leg Clamp					
Offset Leg Clamp					
Perf Tube (Grey)					
Mid Tube (Orange)					
Modular Adaptor					
Rocker Foot					
Talon Foot					
Articulating Foot					
Rope Hobble					
Quick Link					
Head Bag					
Removable Pouches					
Leg Bag					

# SECTION 5

## WARRANTY AND REPLACEMENT PARTS

### Warranty

Standard SMC warranty policy applies to the TerrAdaptor System and its component parts:

**LIMITED WARRANTY:** SMC products are warranted to the original purchaser in accordance with the full Statement of Limited Warranty printed on our web site, [www.smcgear.net/warranty](http://www.smcgear.net/warranty). Service under this warranty is available by contacting us by mail, email or phone. All items that are claimed to be defective must be returned under a pre-assigned CC Number and should include a detailed description of the conditions existing during use of the item as well as the place and date of the original purchase and a copy of the original invoice or receipt. Include contact information.

Due to the complexity of the TerrAdaptor system, if one of the main components of the system has been damaged whereby it is warped, twisted, or bent, the entire system is suspect and must be inspected by the manufacturer. As a result, replacement parts for these components are not available without first sending them to SMC for inspection.

If during inspection the parts are determined to be damaged as a result of a manufacturer defect, the necessary part(s) will be replaced at no cost to the end user. If the manufacturer determines that the damage is due to miss-use, overloaded, unsafe configurations or neglect, the replacement part(s) will be made available to the user at user's cost. Any parts deemed unsafe will not be returned to the user.

### Replacement Parts and Kit components:

- NFPA230100 TerrAdaptor™ Tripod System
  - 1 TerrAdaptor™ Tripod Head
  - 2 Offset Leg Clamps with 3 Load Locking Pins
  - 1 Center Leg Clamp with 3 Load Locking Pins
  - 1 Main Attachment Pin
  - 3 Legs Kits with Modular Adaptors/Rocker Feet
  - 3 Cam Strap Hobble Sections
  - 1 Cotter Pin Kit
  - 1 Extra Leg Coupling Pin
  - 1 Extra Load Locking Pin
  - 2 Lash Rings with 1 Coupling Pin each
  - 1 TerrAdaptor™ Head/ Accessory Bag
  - 2 TerrAdaptor™ Leg Bags TerrAdaptor™
  - 1 User Guide



NFPA230100 TerrAdaptor™  
Tripod System

230105 TerrAdaptor™ Quadpod Attachment Kit  
 Quadpod Head Attachment  
 Leg kit complete with Modular Adaptor/Rocker Foot  
 Center Leg Clamp with 3 Load Locking Pins  
 Main Attachment Pin  
 Cam Strap Hobbles Section

230109 TerrAdaptor™ Gin to Quad Kit  
 Quadpod Head Attachment  
 Center Leg Clamp with 3 Load Locking Pins  
 Main Attachment Pin  
 Cam Strap Hobbles Section

230106 TerrAdaptor™ Gin Pole Kit  
 2 Lash Rings with 2 Coupling Pins  
 Leg Kit with Modular foot/Rocker  
 TerrAdaptor™ User Guide

230230 Lash Ring Assembly  
 1 Lash Ring  
 1 Leg Coupling Pin

230370 QuickLash Assembly  
 1 QuickLash  
 1 Quick Release Pin

230326 Bolt Replacement Kit  
 4 SHCS Alloy Bolts  
 4 Nylok Nuts

230107 Leg Extension Kit 1 Mid-Tube  
 1 Leg Coupling Pin

230108 Leg Extension Kit 1 Perf-Tube  
 1 Leg Coupling Pin

230260 Load Locking Head Pin

230300 Cam Strap Hobbles  
 230301 Leg Coupling Pin  
 230304 Replacement Quick Link  
 230307 Rope Hobbles Section  
 230311 Main Attachment Pin  
 230314 TerrAdaptor™ Leg Bag  
 230315 TerrAdaptor™ Head Bag  
 230360 TerrAdaptor™ Cable Sheave  
 230500 TerrAdaptor™ Rocker Foot

230510 TerrAdaptor™ Talon Foot  
 230530 TerrAdaptor™ Articulating Foot  
 230540 TerrAdaptor™ Modular Adaptor Foot  
 230550 Standard Winch Bracket  
 230551 Capstan Winch Bracket  
 230552 Capstan Winch System  
 230360 TerrAdaptor Steel Sheave Assembly



230105 TerrAdaptor™  
 Quadpod Attachment Kit



230106 TerrAdaptor™  
 Gin Pole Kit

Manufactured by:



**B Y H A R K E N**

Harken, Inc.

6930 Salashan Parkway | Ferndale, WA 98248 | USA

Phone: 360.366.5534 | Fax: 360.366.5723

[www.smcgear.com](http://www.smcgear.com)

This manual is available in additional languages that can be downloaded at [www.smcgear.com/terradaptor](http://www.smcgear.com/terradaptor).

The Declaration of Conformance to Regulation (EU) 2016/425 can be downloaded at [www.smcgear.com/terradaptor](http://www.smcgear.com/terradaptor).